



MARINE
CONSTRUCTION RENTALS

**FLEXIFLOATS, TUGS, BARGES,
CRANES & MARINE EQUIPMENT**



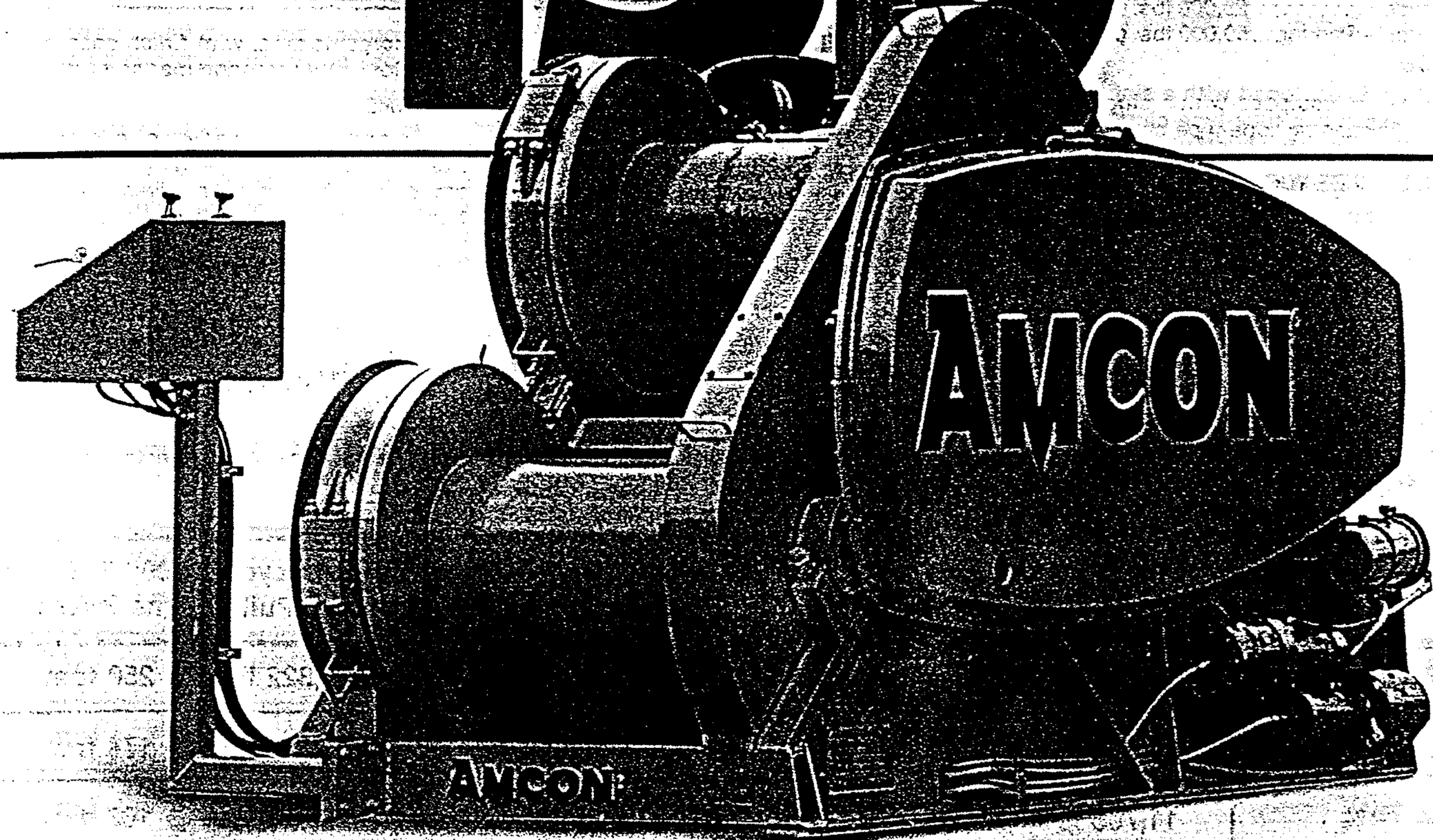
**AMCON 150
HEAVY-DUTY AIR-CONTROLLED
DOUBLE DRUM WATERFALL WINCH**





AMCON

150



The AMCON® Model 150 is a heavy-duty air-controlled winch engineered for lifting and anchoring applications under a variety of operating conditions. The standard machine is available in double or triple-drum waterfall configurations. Or, if required, the 150 is available in single-drum or four-drum configurations.

An engine-driven air compressor, air tank, stand-up local control console, and diesel fuel tank are furnished as standard equipment on the Model 150.

The AMCON 150 is just one example of how Conmaco, Inc. and Amhoist combine over 175 years of experience in the engineering and manufacturing

of a complete line of quality construction equipment.



Depend on our Quality.
Benefit from our Experience.

AMCON 150
AIR-CONTROLLED WINCH

DRUM DIMENSIONS

Flange Diameter 30" (762 mm)
Drum Diameter 14" (356 mm)
Drum Length 28" (711 mm)

SPOOLING CAPACITY

1/2" Wire Rope 5,638' (1,718 m)
5/8" Wire Rope 3,578' (1,091 m)
3/4" Wire Rope 2,367' (721 m)
7/8" Wire Rope 1,665' (507 m)
1" Wire Rope 1,316' (401 m)

BRAKES

Each drum is equipped with a single external-contracting band-type brake. The brake is air-actuated, spring release and is complete with a spring-set override/parking brake feature. Static Holding Power First Layer Service 28,000 lbs. (12.7 MT) Service + Parking 50,000 lbs. (22.6 MT)

CLUTCH

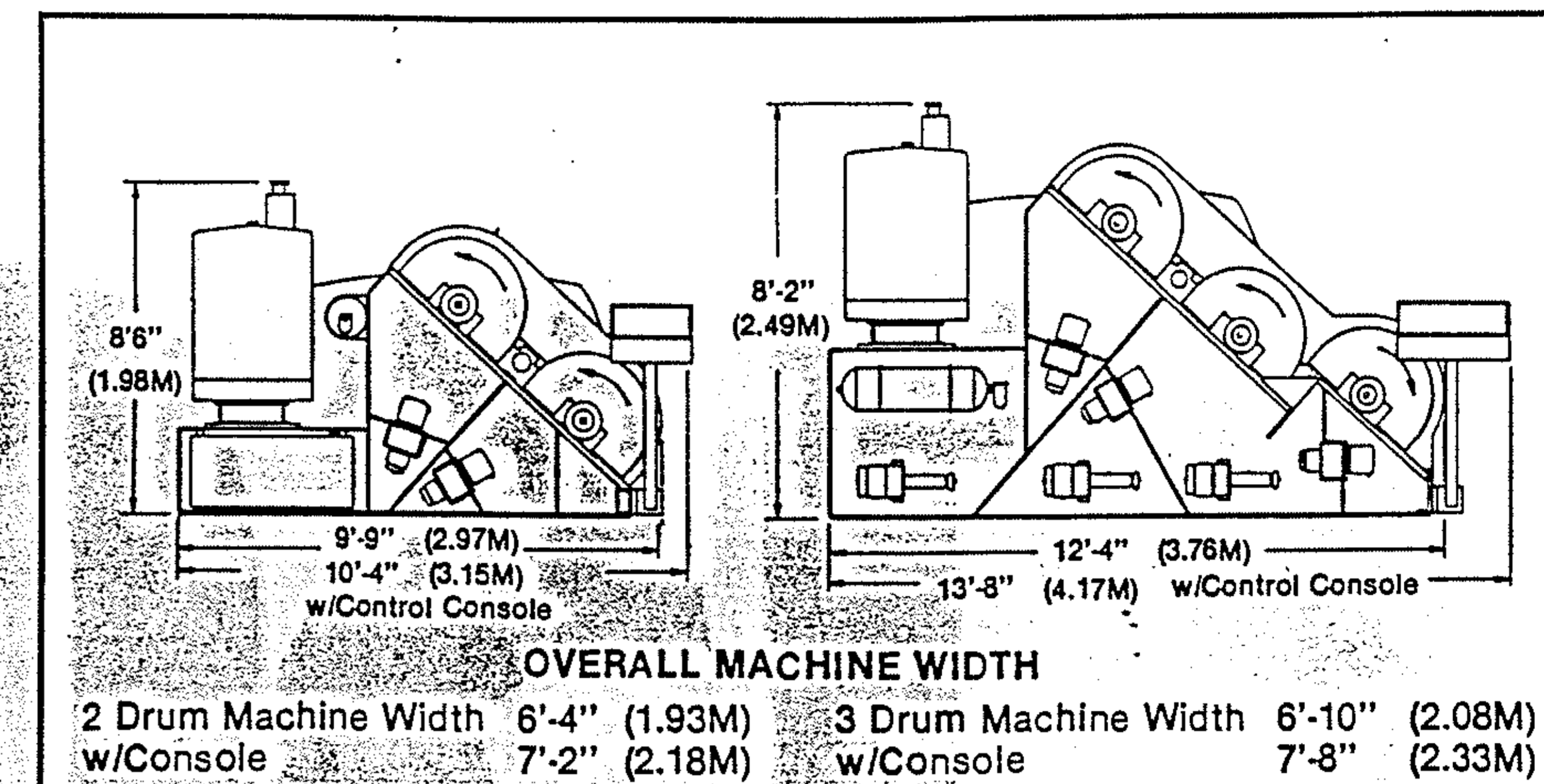
Each drum is equipped with a single internal-expanding tube-type clutch. The clutch is air-over-hydraulic actuated.

MAXIMUM SIZE WIRE ROPE

For Anchoring Service 1" Wire Rope

DRUM DOG

Each drum is equipped with an air-actuated drum dog.



WEIGHTS (with standard diesel power)

Double-drum 9,055 lbs. (4.1 MT)
Three-drum 12,466 lbs. (5.6 MT)

CONTROL CONSOLE

Side mounted stand-up type (Shown) Standard
Swing-around, seated Optional
Forward facing, seated with cab Optional

PAINT

Winch frame, guards and all sheet metal work are sandblasted and coated

with inorganic zinc, with finish coats of high-gloss polyurethane marine paint.

OPTIONS

In addition to a variety of engines, transmissions, control arrangements, and electric or hydraulic drives, the Model 150 can be ordered with the following accessories: attached or remote boom swingers, levelwinds, or fleeting sheaves. Deck guide sheaves and fairleads can also be furnished to fit your needs.

PERFORMANCE DATA

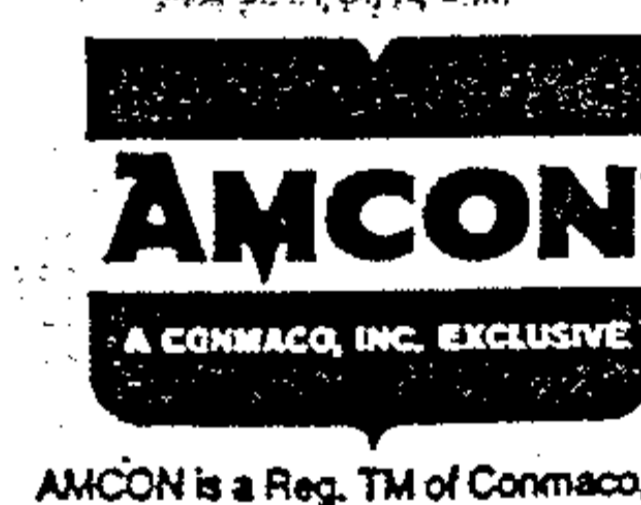
Theoretical single-drum line pull in pounds and line speed in feet per minute with a Detroit Diesel Model 4-53N electric-starting diesel engine, driving through an Allison single-stage torque converter, using 1" wire rope.

	8th Layer (26.86" P. D.) Line Pull @ Line Speed	5th Layer (21.78" P. D.) Line Pull @ Line Speed	1st Layer (15.00" P. D.) Line Pull @ Line Speed
High 70%	5,764 lbs. @ 451 fpm	7,109 lbs. @ 364 fpm	10,322 lbs. @ 250 fpm
Max. Eff.	8,145 lbs. @ 313 fpm	10,045 lbs. @ 253 fpm	14,586 lbs. @ 174 fpm
Low 70%	11,755 lbs. @ 185 fpm	14,497 lbs. @ 150 fpm	21,049 lbs. @ 103 fpm
Stall	19,497 lbs.	24,045 lbs.	34,914 lbs.

For special applications, consult your nearest Conmaco office.

Sales Offices Worldwide
CONMACO, INC.

820 Kansas Ave. / P.O. Box 5097
Kansas City, KS 66119-0097
913/371-3930 / TELEX: 0437230



AMCON is a Reg. TM of Conmaco, Inc.

