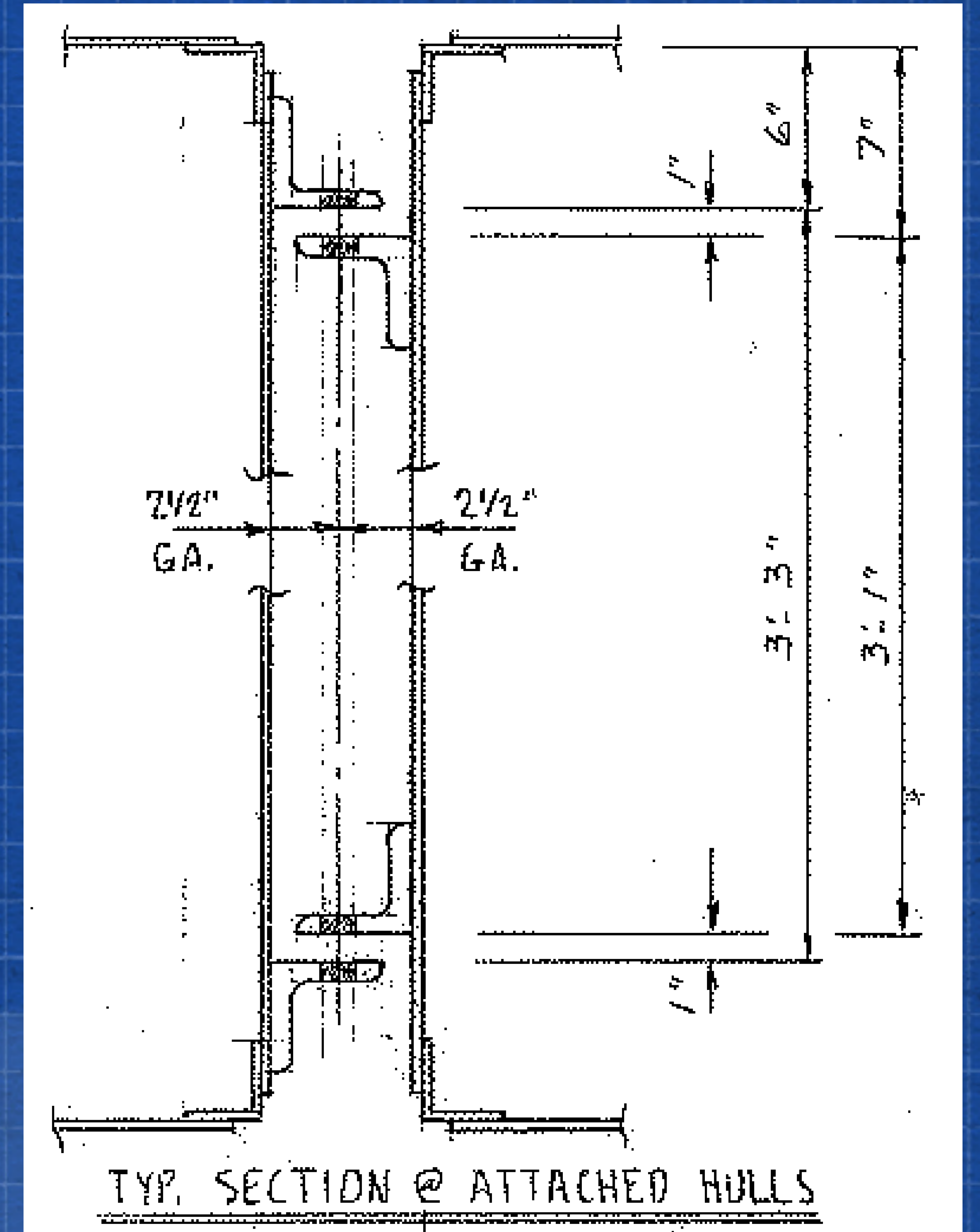
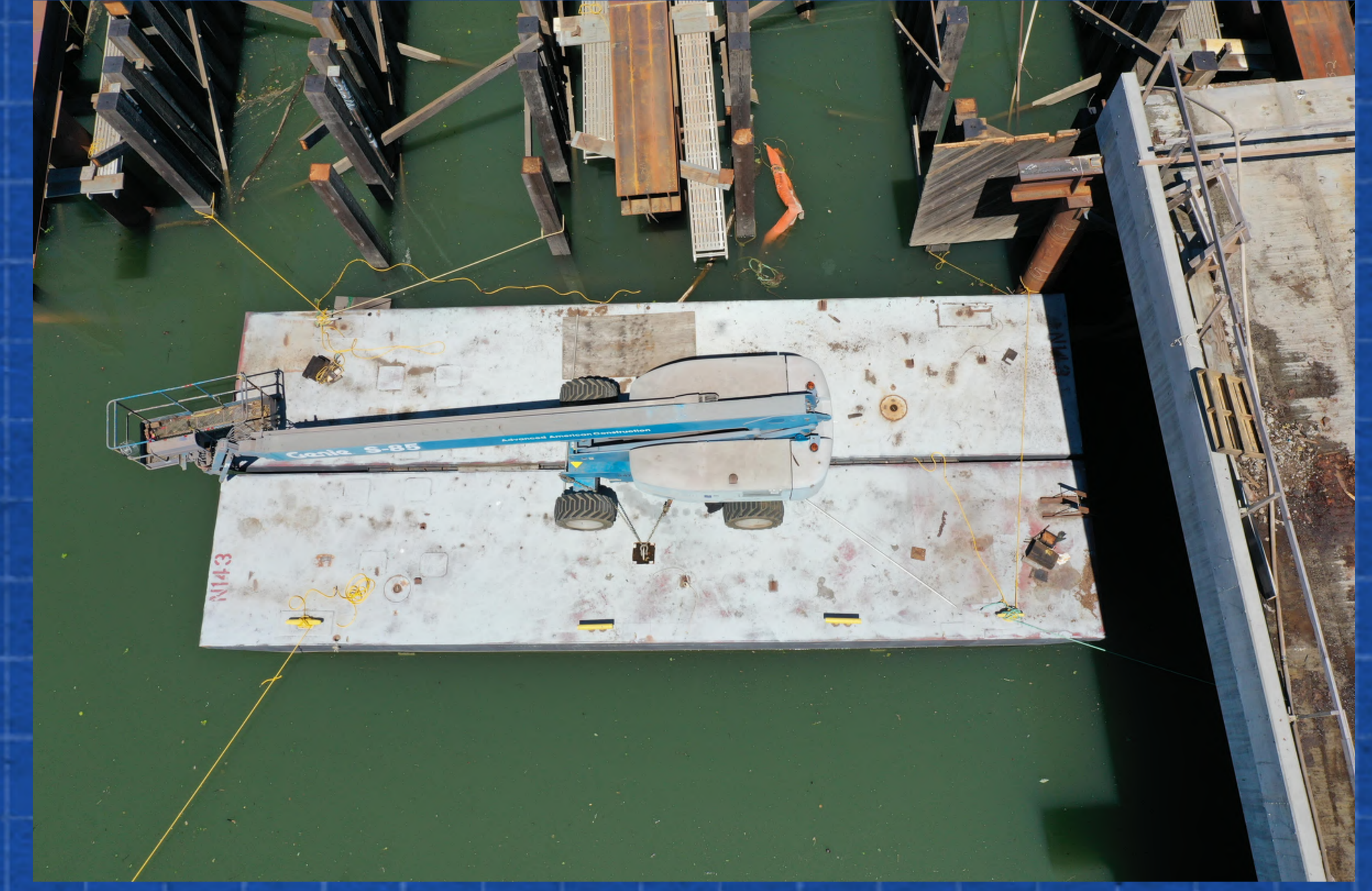
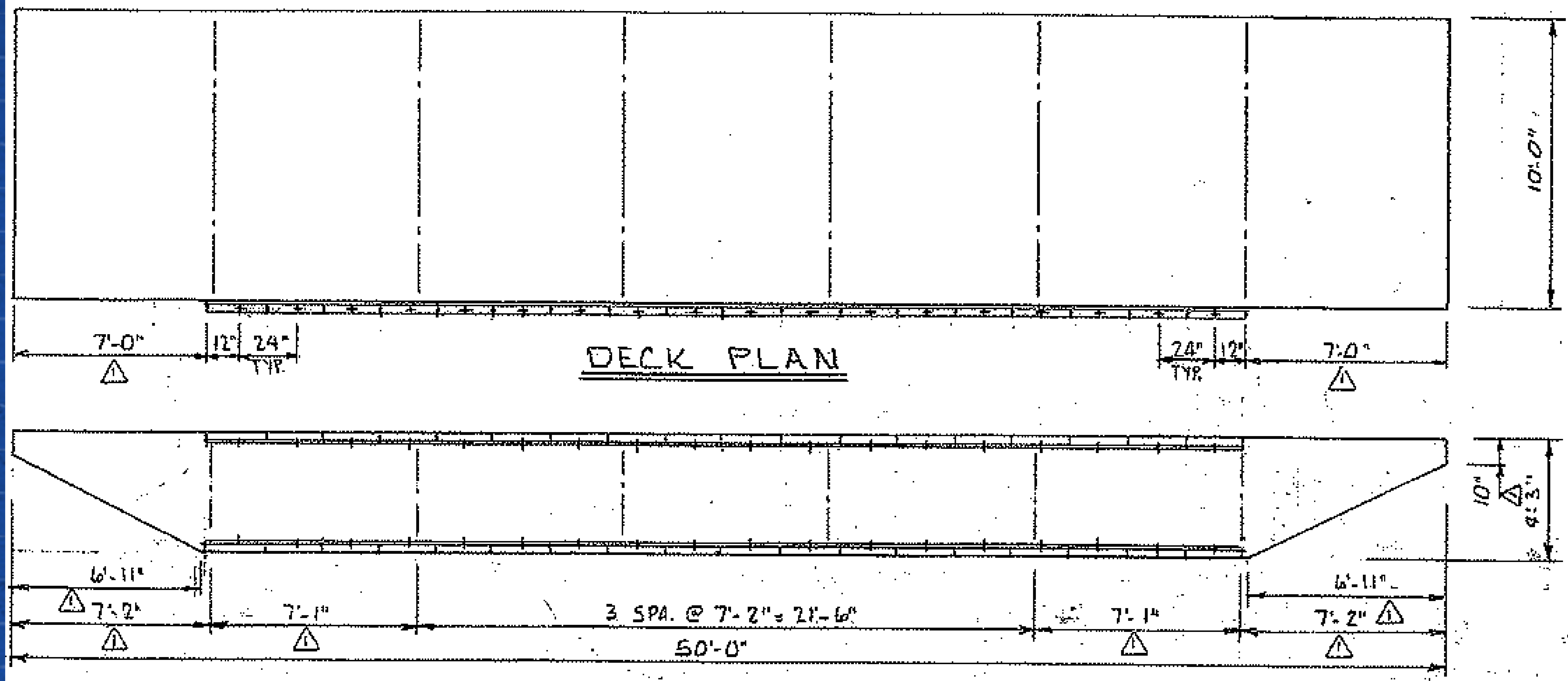


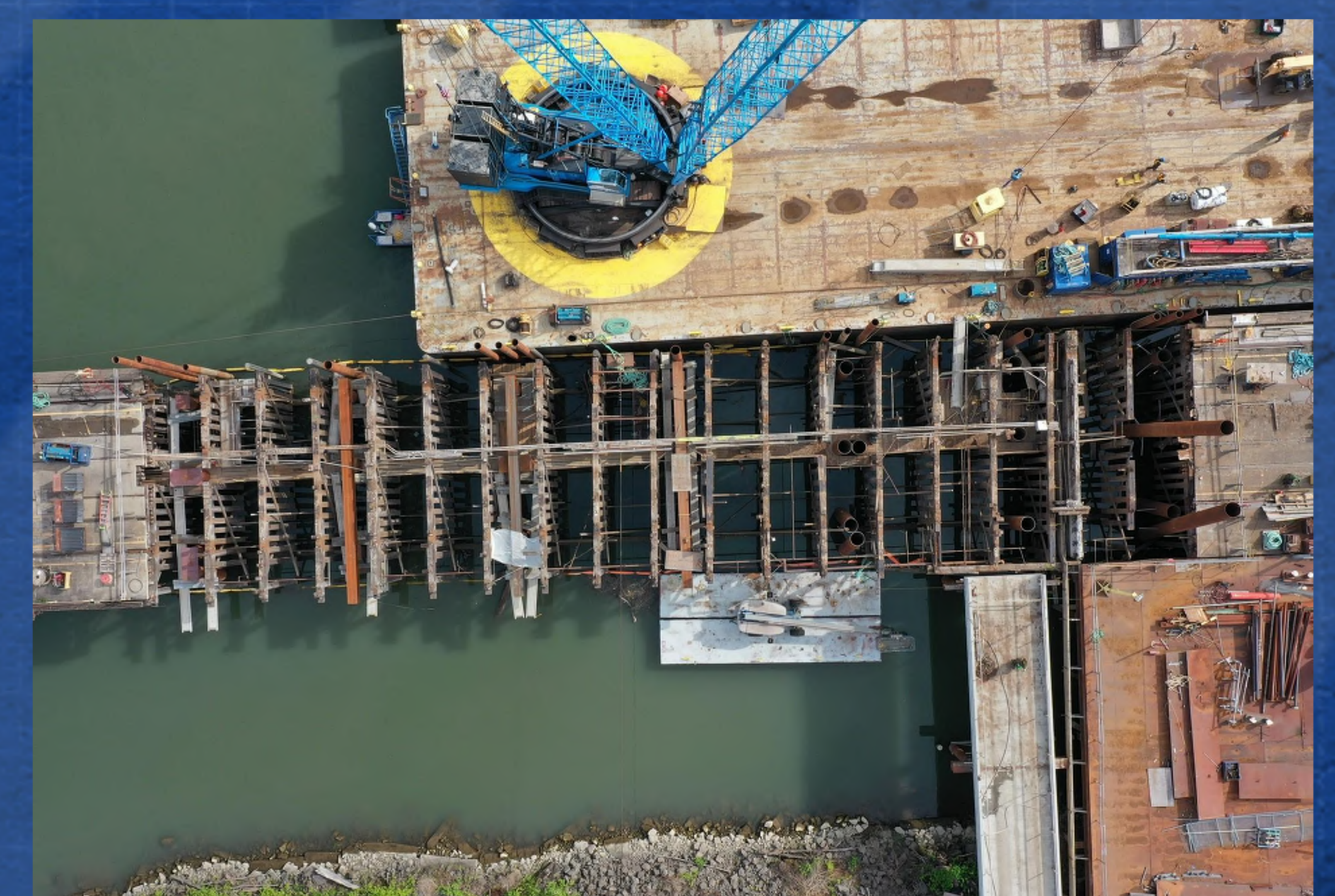


MARINE
CONSTRUCTION RENTALS

**FLEXIFLOATS, TUGS, BARGES,
CRANES & MARINE EQUIPMENT**



**20' x 50' x 4'-3" Pontoon Barge
(2ea. 10' wide sections)**





Optional Hydraulic Powered Spud Package

- 2ea. 45' Spuds & Spudwells
- 2ea. Spudwell Mounted Hydraulic Winches
- Hydraulic Power Unit, Hoses, & Controls

